

MATERIALS AND FINISHES

(73366-0030/73366-0031)

BODY BRASS,
PLATED NICKEL

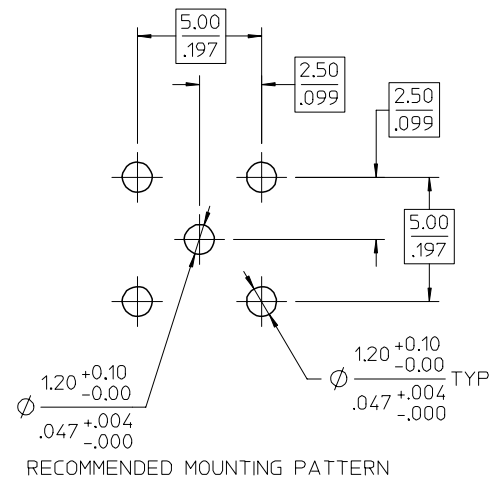
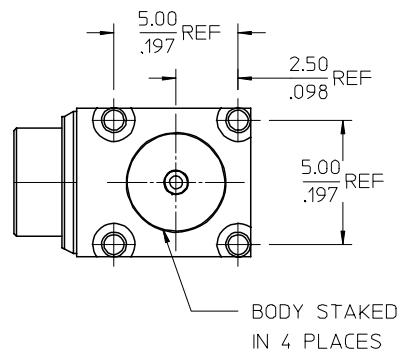
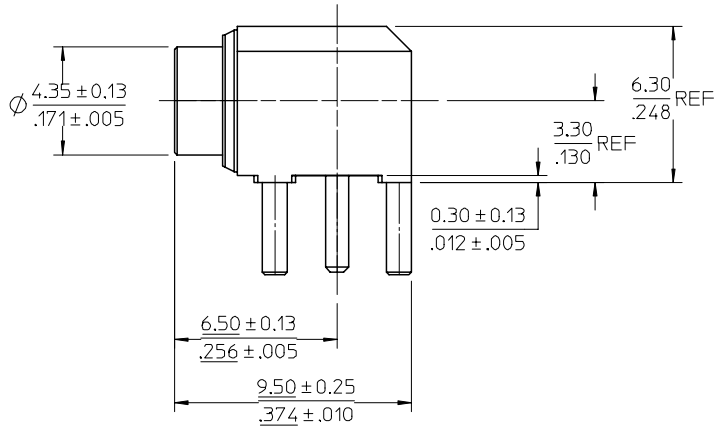
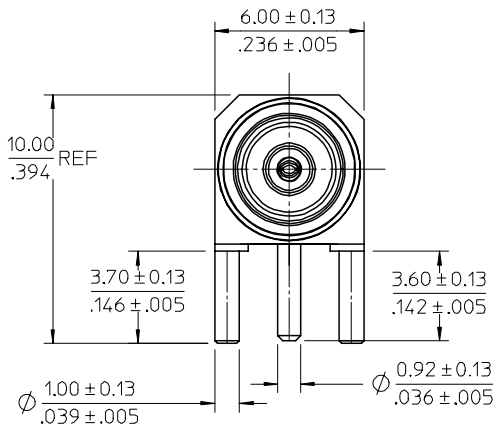
(73366-0032)

BODY BRASS
PLATED GOLD

CENTER CONTACT BERYLLIUM COPPER,
PLATED GOLD

INSULATOR TEFLON

HOUSING ZINC ALLOY,
PLATED TIN



73366-0034	73366-0031 SMALL TRAY
73366-0033	73366-0030 SMALL TRAY
73366-0032	TAPE & REEL
73366-0031	GENERAL
73366-0030	GENERAL
PART NO.	PACKAGING DESCRIPTION

PS-73598-0132	PRODUCT SPECIFICATION
SPECIFICATION	DESCRIPTION

CHG: ADD NEW PART NO. 73366-0033 FOR PACKAGING SMALL TRAY PER EWR RFO7-E101 EC NO: URF2007-0334
 DRAWN: YCHENG 2007/03/04
 CHKD: 2007/03/02
 APPR: MJIANG 2007/03/05
 DESCRIPTION
 REVISION
 C5

QUALITY SYMBOLS
 ▽=0
 ▽=0

GENERAL TOLERANCES (UNLESS SPECIFIED)

	mm	INCH
4 PLACES	± .010	± .0004
3 PLACES	± .015	± .0006
2 PLACES	± .020	± .0008
1 PLACE	± .030	± .0012

ANGULAR ± 2 °

DRAFT WHERE APPLICABLE MUST REMAIN WITHIN DIMENSIONS

DIMENSION STYLE
 MM/IN

SCALE
 1:1

DESIGN UNITS
 METRIC

THIRD ANGLE PROJECTION

DRAWN BY
 LYNN

DATE
 2000/02/10

CHECKED BY
 PENNY

DATE
 2000/02/10

APPROVED BY
 MISEN

DATE
 2000/02/10

MATERIAL NO.
 SEE NOTES

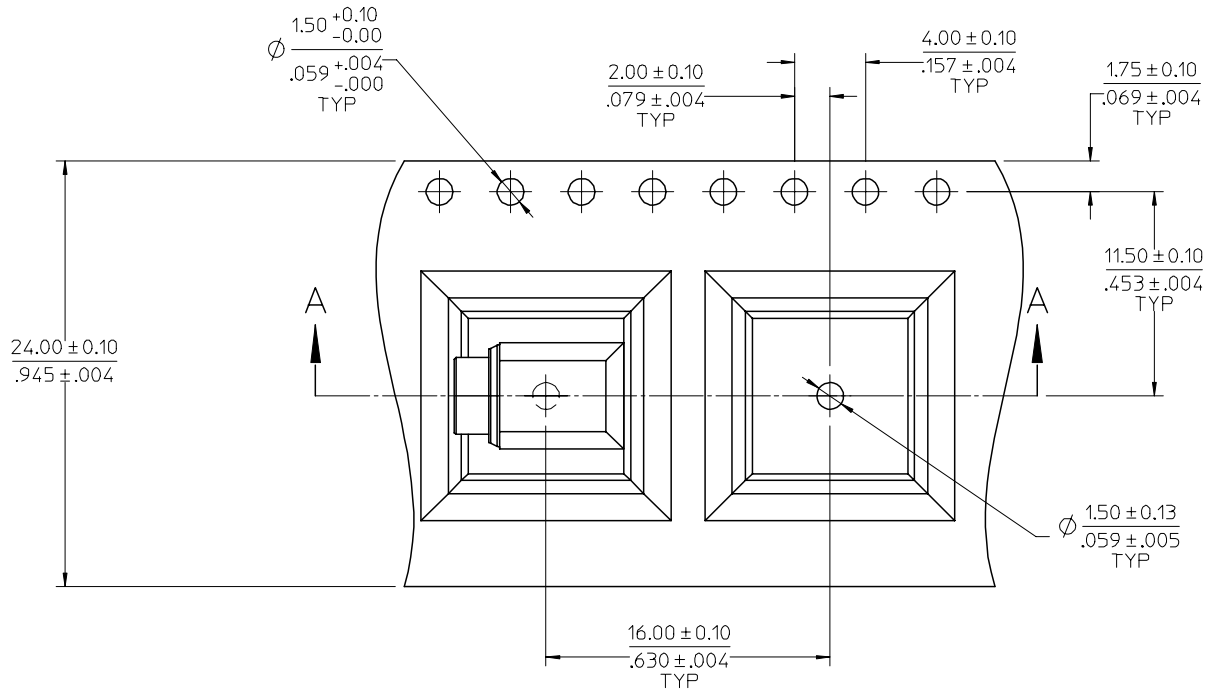
DOCUMENT NO.
 SD-73366-003

SHEET NO.
 1 OF 3

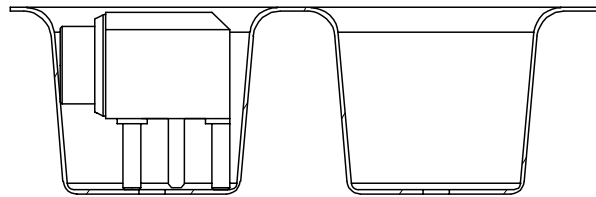
50 OHMS MCX(J) R/A PCB
 MCX-J/RA/PCB

MOLEX INCORPORATED

THIS DRAWING CONTAINS INFORMATION THAT IS PROPRIETARY TO MOLEX INCORPORATED AND SHOULD NOT BE USED WITHOUT WRITTEN PERMISSION



NOTE:
1. 10 PITCHES CUMULATIVE TOLERANCE ±0.20(0.008)

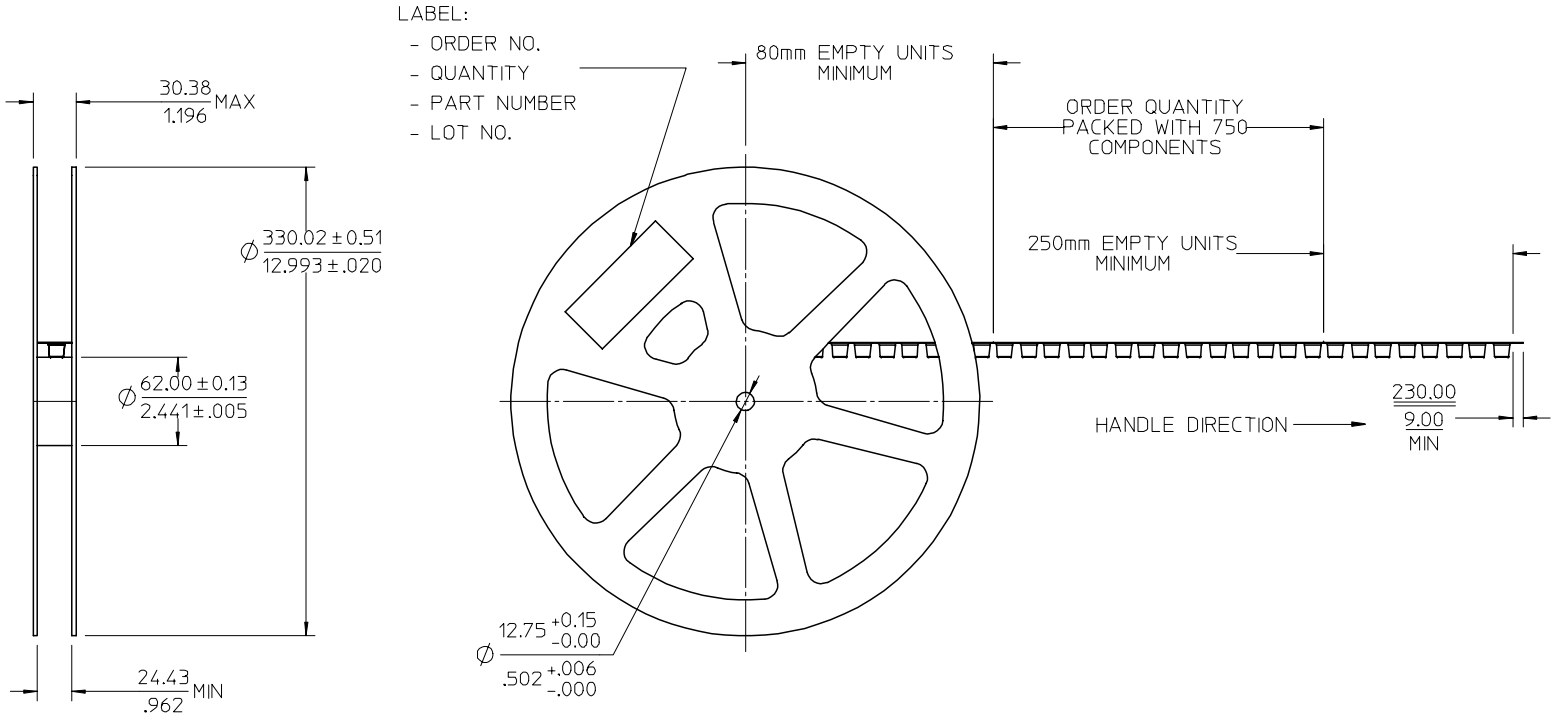


SECTION A-A

CHG: SEE SHEET 1 EC NO: URF2007-0334 DRAWN: CHENG 2007/03/04 CHKD: 2007/03/02 APPR: MJIANG 2007/03/05 REV: C5	QUALITY SYMBOLS ▽=0 ▽=0	GENERAL TOLERANCES (UNLESS SPECIFIED)		DIMENSION STYLE MM/IN		SCALE	DESIGN UNITS METRIC	THIRD ANGLE PROJECTION	
		4 PLACES ± --- ± ---	3 PLACES ± --- ± ---	DRAWN BY LYNN	DATE 2000/02/10	TITLE 50 OHMS MCX(J) R/A PCB MCX-J/RA/PCB			
		2 PLACES ± --- ± ---	1 PLACE ± --- ± ---	CHECKED BY PENNY	DATE 2000/02/10	MOLEX INCORPORATED			
		ANGULAR ± 2 °		APPROVED BY MISEN	DATE 2000/02/10	MATERIAL NO. SEE SHEET 1		DOCUMENT NO. SD-73366-003	SHEET NO. 2 OF 3
DRAFT WHERE APPLICABLE MUST REMAIN WITHIN DIMENSIONS				THIS DRAWING CONTAINS INFORMATION THAT IS PROPRIETARY TO MOLEX INCORPORATED AND SHOULD NOT BE USED WITHOUT WRITTEN PERMISSION					

13 12 11 10 9 8 7 6 5 4 3 2 1

J
I
H
G
F
E
D
C
B
A



CHG: SEE SHEET 1
 EC NO: URF2007-0334
 DRAWN: YCHENG 2007/03/04
 CHKD: 2007/03/02
 APPR: MJIANG 2007/03/05
 REV: C5

QUALITY SYMBOLS
 ▽=0
 ▽=0

GENERAL TOLERANCES (UNLESS SPECIFIED)	
mm	INCH
4 PLACES ± .005	± .0004
3 PLACES ± .003	± .0003
2 PLACES ± .002	± .0002
1 PLACE ± .001	± .0001
ANGULAR ± 2 °	

DRAFT WHERE APPLICABLE MUST REMAIN WITHIN DIMENSIONS

DIMENSION STYLE	
MM/IN	
DRAWN BY	DATE
LYNN	2000/02/10
CHECKED BY	DATE
PENNY	2000/02/10
APPROVED BY	DATE
MISEN	2000/02/10
MATERIAL NO.	
SEE SHEET 1	

SCALE	DESIGN UNITS	THIRD ANGLE PROJECTION
	METRIC	☑
TITLE		
50 OHMS MCX(J) R/A PCB MCX-J/RA/PCB		
MOLEX INCORPORATED		
DOCUMENT NO.		SHEET NO.
SD-73366-003		3 OF 3

12 11 10 9 8 7 6 5 4 3 2 1